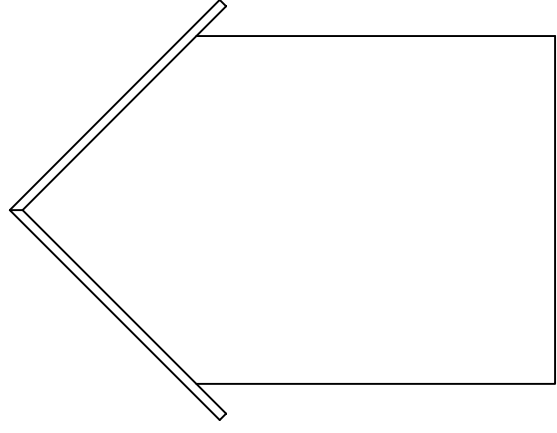
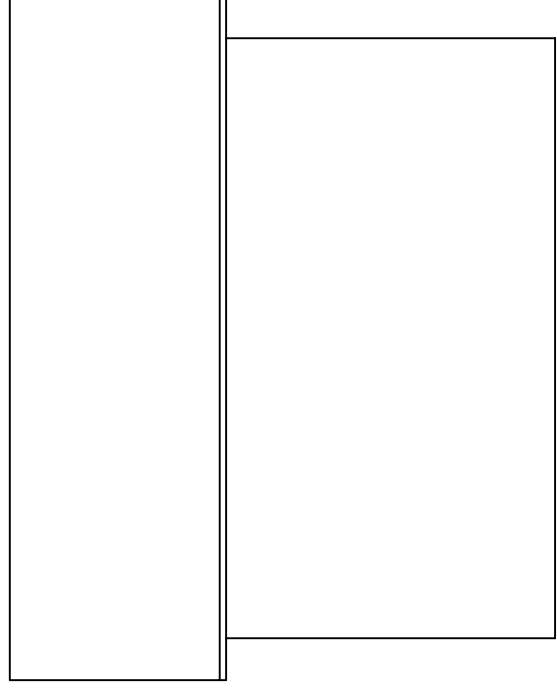


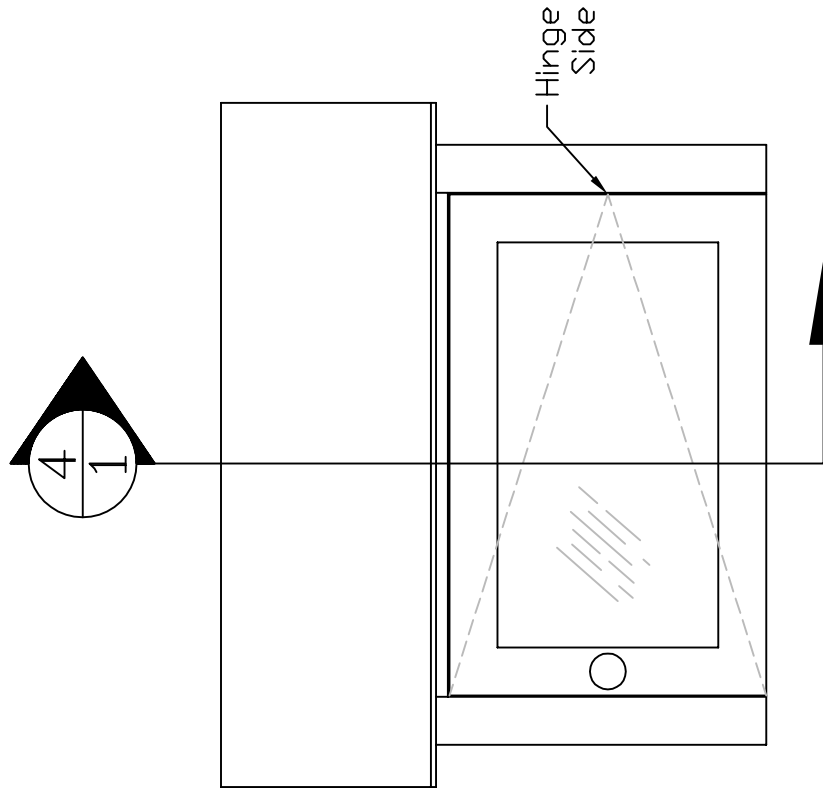
1 1 Square House



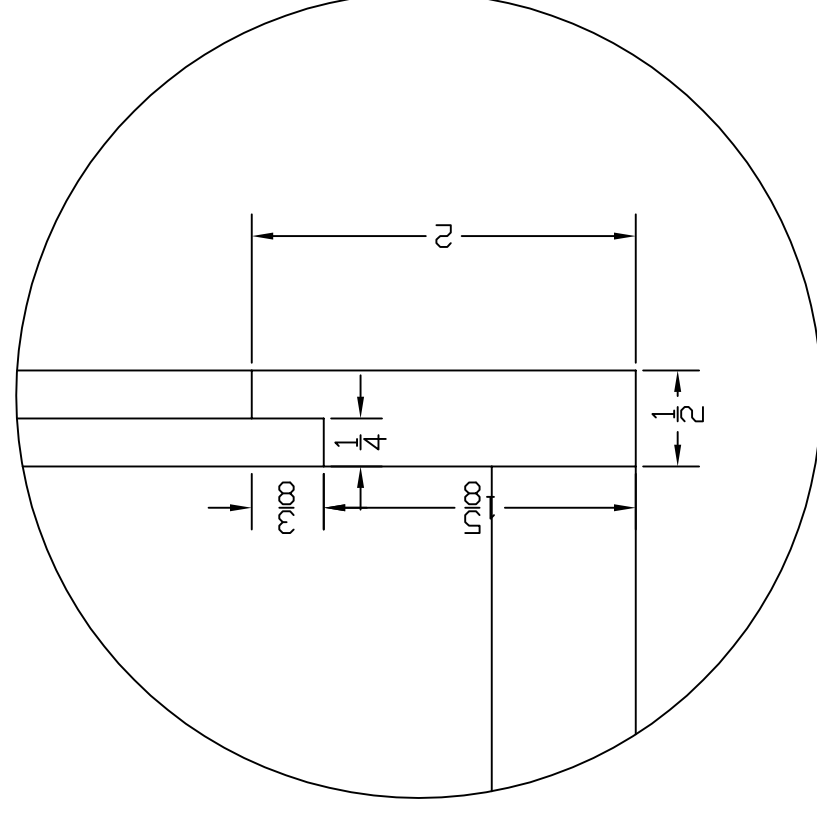
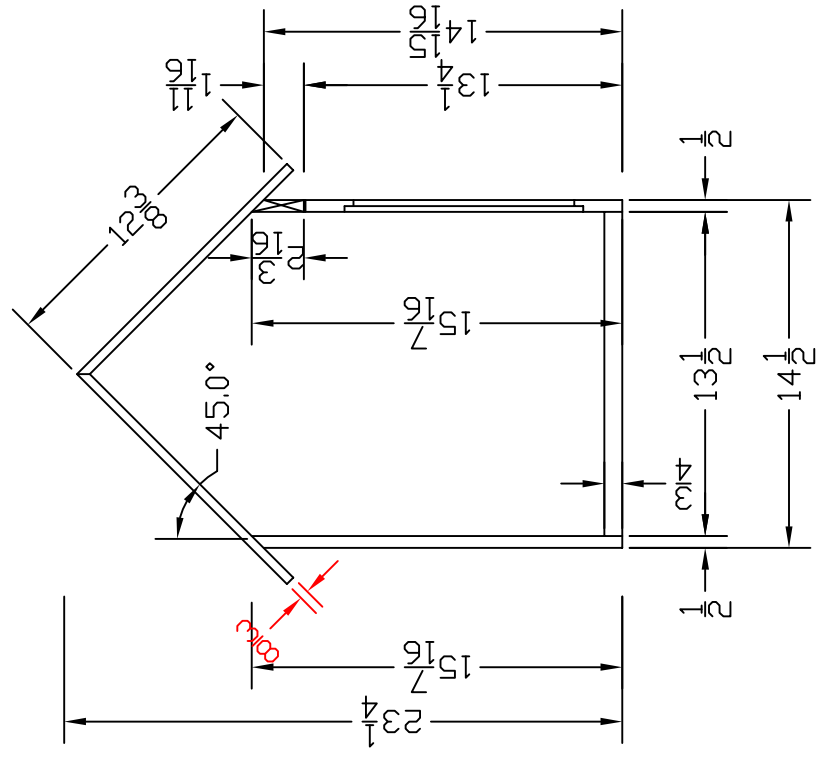
3 1 End Elevation



5 1 Front Elevation Square House



Square House



6 1 Door Detail Scale = NTS

NOTES:
HOUSES: MATERIAL = MDO
Heavy Break on Everything

NIGON WOODWORKS, INC.			
1700 EASTWOOD RD. S.E.		PH: 507-282-1895	
ROCHESTER, MN 55904		FAX: 507-282-3461	
PAGE: 1 of 1	SCALE: 1 1/2" = 1'	DATE: 5/21/15	
PROJECT #14672		DRAWN BY: J Hamm	
Book Houses			
JOB: Rochester Public Library			